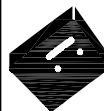


VERSA-LOK UNIT

UNIT DIMENSIONS

SCALE: NONE

THESE PRELIMINARY DETAILS ARE INTENDED AS AN AID IN DESIGNING ATTRACTIVE, DURABLE RETAINING WALLS WITH VERSA-LOK UNITS. FINAL DETERMINATION OF THE SUITABILITY OF ANY INFORMATION OR MATERIAL FOR THE USE CONTEMPLATED, AND ITS MANNER OF USE, IS THE SOLE RESPONSIBILITY OF THE USER. A FINAL PROJECT SPECIFIC DESIGN SHOULD BE PREPARED BY A QUALIFIED, LICENSED, PROFESSIONAL ENGINEER.



VERSA-LOK[®]
Retaining Wall Systems

(800)770-4525 fax(651)770-4089
 6348 Hwy36 Ste1, Oakdale, MN 55128 **Solid Solutions[™]**

VERSA-LOK MOSAIC DETAILS

STANDARD UNIT

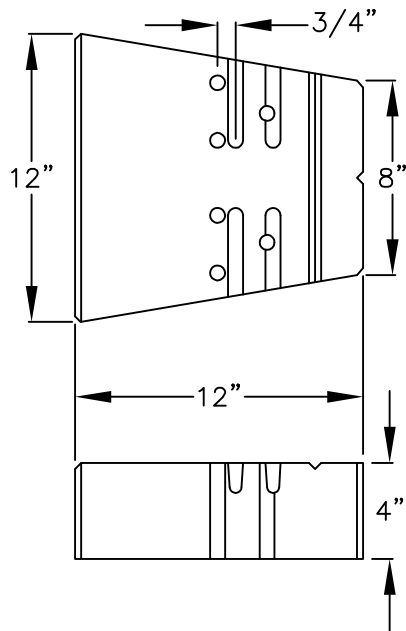
SCALE: 1 1/2"=1'

DRAWN BY: PPS

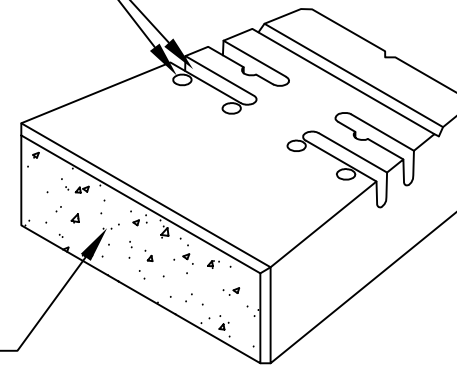
CHECKED BY:

DATE: 10/2007

DWG. NO. accent unit



PIN HOLES AND SLOTS FOR 3/4"
SETBACK WALL CONSTRUCTION



STRAIGHT SPLIT FACE

VERSA-LOK ACCENT UNIT

UNIT DIMENSIONS

SCALE: NONE

THESE PRELIMINARY DETAILS ARE INTENDED AS AN AID IN DESIGNING ATTRACTIVE, DURABLE RETAINING WALLS WITH VERSA-LOK UNITS. FINAL DETERMINATION OF THE SUITABILITY OF ANY INFORMATION OR MATERIAL FOR THE USE CONTEMPLATED, AND ITS MANNER OF USE, IS THE SOLE RESPONSIBILITY OF THE USER. A FINAL PROJECT SPECIFIC DESIGN SHOULD BE PREPARED BY A QUALIFIED, LICENSED, PROFESSIONAL ENGINEER.



VERSA-LOK®
Retaining Wall Systems

(800)770-4525 fax(651)770-4089
6348 Hwy36 Ste1, Oakdale, MN 55128 **Solid Solutions™**

VERSA-LOK ACCENT DETAILS

ACCENT UNIT

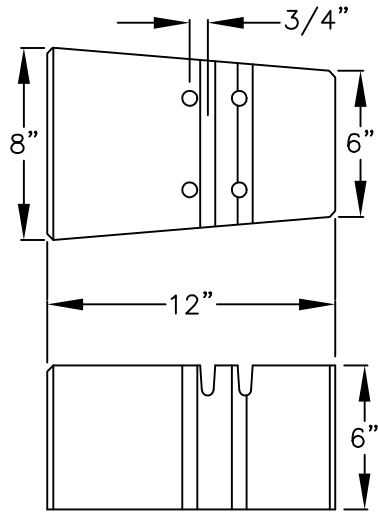
SCALE: 1 1/2"=1'

DRAWN BY: PPS

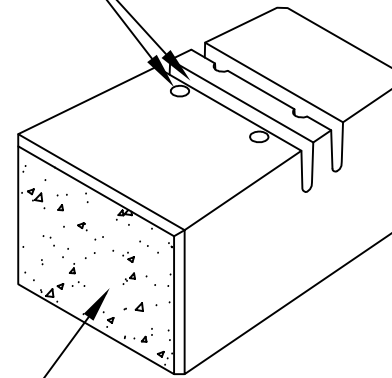
CHECKED BY:

DATE: 10/2007

DWG. NO. accent unit



PIN HOLES AND SLOTS FOR 3/4"
SETBACK WALL CONSTRUCTION



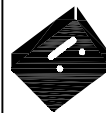
STRAIGHT SPLIT FACE

VERSA-LOK COBBLE UNIT

UNIT DIMENSIONS

SCALE: NONE

THESE PRELIMINARY DETAILS ARE INTENDED AS AN AID IN DESIGNING ATTRACTIVE, DURABLE RETAINING WALLS WITH VERSA-LOK UNITS. FINAL DETERMINATION OF THE SUITABILITY OF ANY INFORMATION OR MATERIAL FOR THE USE CONTEMPLATED, AND ITS MANNER OF USE, IS THE SOLE RESPONSIBILITY OF THE USER. A FINAL PROJECT SPECIFIC DESIGN SHOULD BE PREPARED BY A QUALIFIED, LICENSED, PROFESSIONAL ENGINEER.



VERSA-LOK®
Retaining Wall Systems

(800)770-4525 fax(651)770-4089
6348 Hwy36 Ste1, Oakdale, MN 55128 **Solid Solutions™**

VERSA-LOK COBBLE DETAILS

COBBLE UNIT

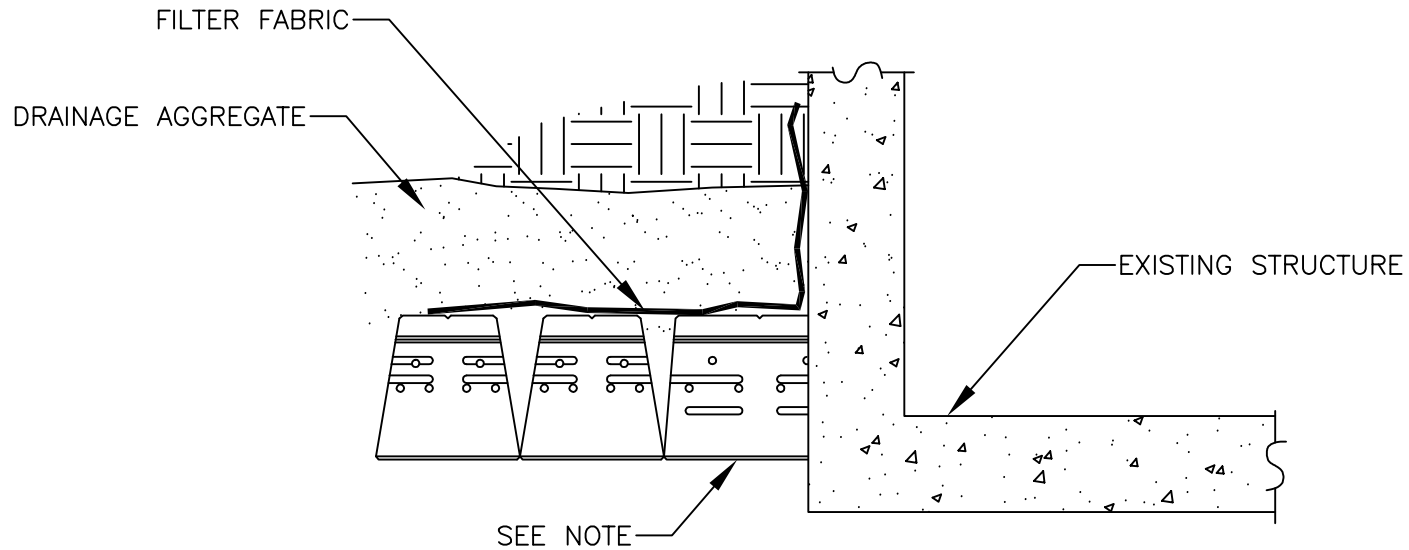
SCALE: 1 1/2"=1'

DRAWN BY: PPS

CHECKED BY:

DATE: 10/2007

DWG. NO.
cobble unit



NOTE:

- AT ABUTMENT, ALTERNATE FULL UNIT WITH HALF UNIT EVERY OTHER COURSE
- START AT FIXED POINTS AND WORK INTO MIDDLE PART OF WALL
- DO NOT ATTACH VERSA-LOK UNITS TO OTHER STRUCTURES

WALL ABUTMENT DETAIL

MOSAIC

SCALE: NONE

THESE PRELIMINARY DETAILS ARE INTENDED AS AN AID IN DESIGNING ATTRACTIVE, DURABLE RETAINING WALLS WITH VERSA-LOK UNITS. FINAL DETERMINATION OF THE SUITABILITY OF ANY INFORMATION OR MATERIAL FOR THE USE CONTEMPLATED, AND ITS MANNER OF USE, IS THE SOLE RESPONSIBILITY OF THE USER. A FINAL PROJECT SPECIFIC DESIGN SHOULD BE PREPARED BY A QUALIFIED, LICENSED, PROFESSIONAL ENGINEER.



VERSA-LOK®
Retaining Wall Systems

(800)770-4525 fax(651)770-4089
6348 Hwy36 Ste1, Oakdale, MN 55128 **Solid Solutions™**

VERSA-LOK MOSAIC DETAILS

ABUTMENT

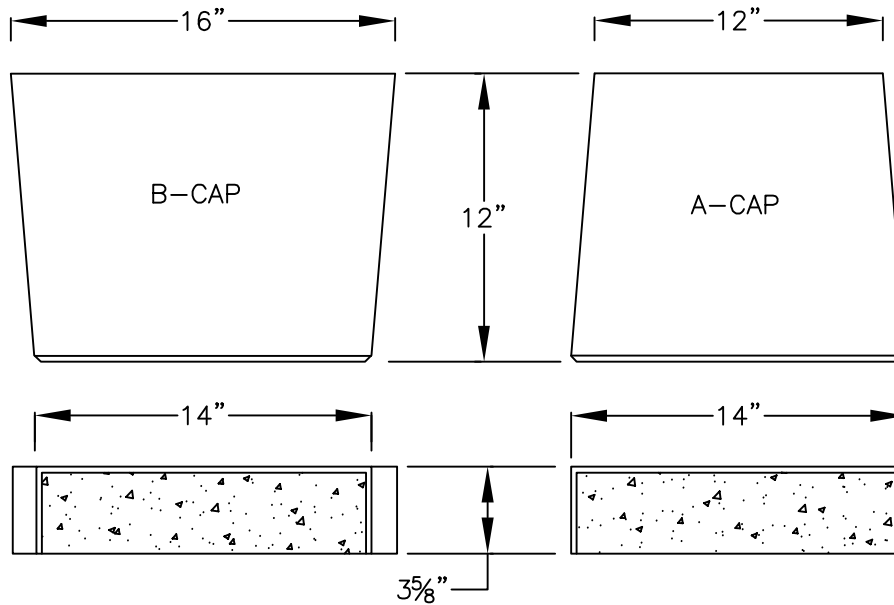
SCALE: 3/4"=1'

DRAWN BY: PPS

CHECKED BY:

DATE: 10/2007

DWG. NO. mosaic abutment



VERSA-LOK CAP UNITS
 UNIT DIMENSIONS
 SCALE: NONE

THESE PRELIMINARY DETAILS ARE INTENDED AS AN AID IN DESIGNING ATTRACTIVE, DURABLE RETAINING WALLS WITH VERSA-LOK UNITS. FINAL DETERMINATION OF THE SUITABILITY OF ANY INFORMATION OR MATERIAL FOR THE USE CONTEMPLATED, AND ITS MANNER OF USE, IS THE SOLE RESPONSIBILITY OF THE USER. A FINAL PROJECT SPECIFIC DESIGN SHOULD BE PREPARED BY A QUALIFIED, LICENSED, PROFESSIONAL ENGINEER.



VERSA-LOK®
 Retaining Wall Systems

(800)770-4525 fax(651)770-4089
 6348 Hwy36 Ste1, Oakdale,MN 55128 **Solid Solutions™**

VERSA-LOK MOSAIC DETAILS

CAP UNITS

SCALE: 1 1/2"=1'

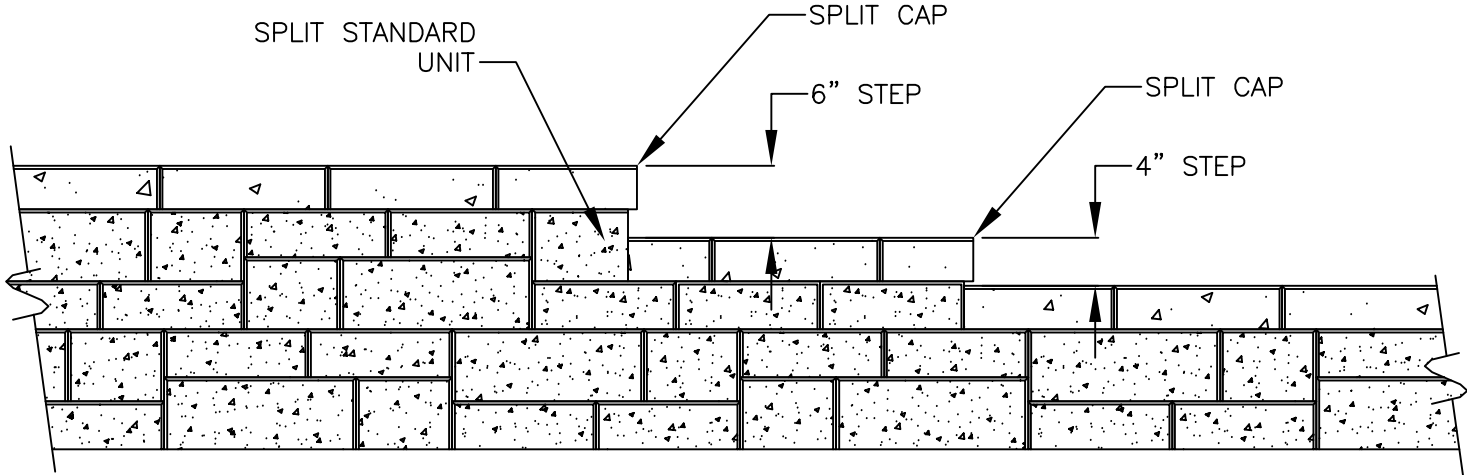
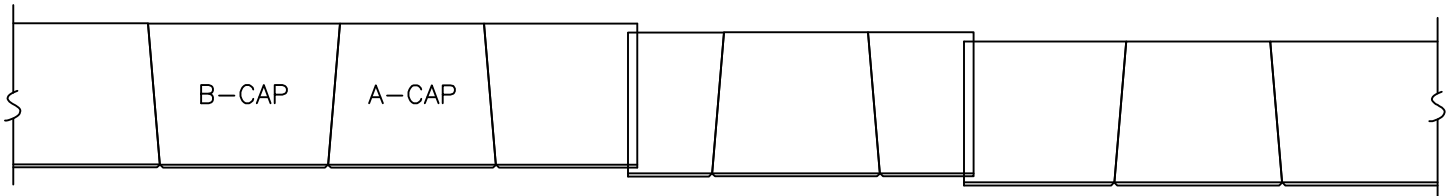
DRAWN BY: PPS

CHECKED BY:

DATE: 10/2007

DWG. NO. mosaic cap units

FOR STRAIGHT WALLS, ALTERNATE A-CAP AND B-CAP

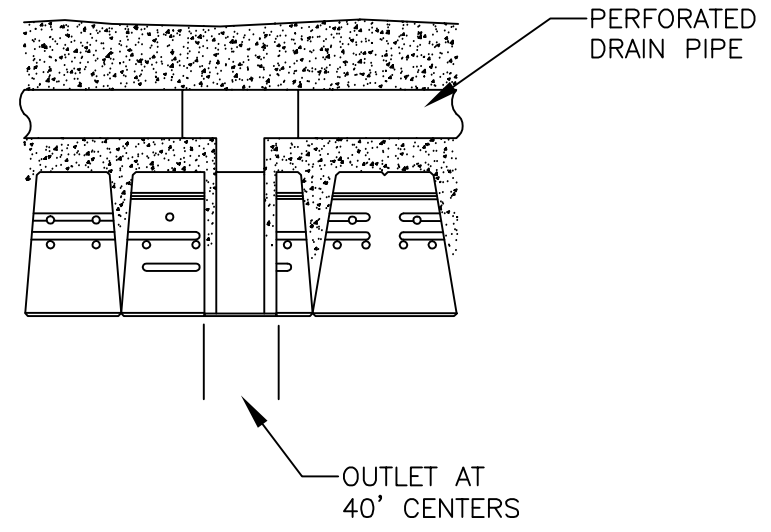
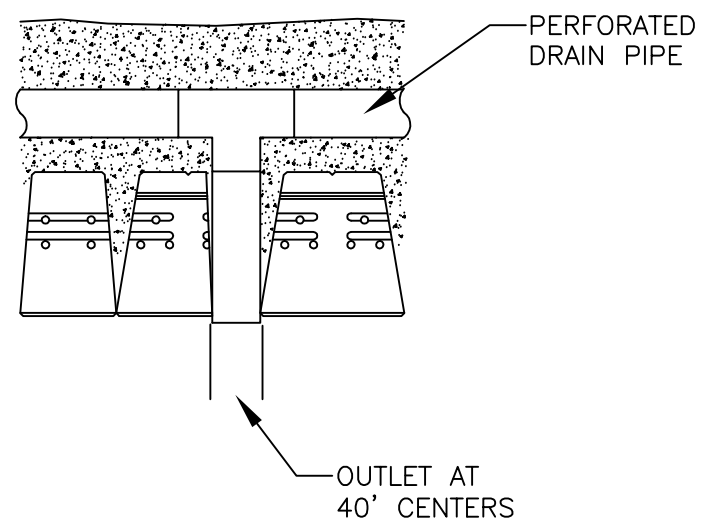
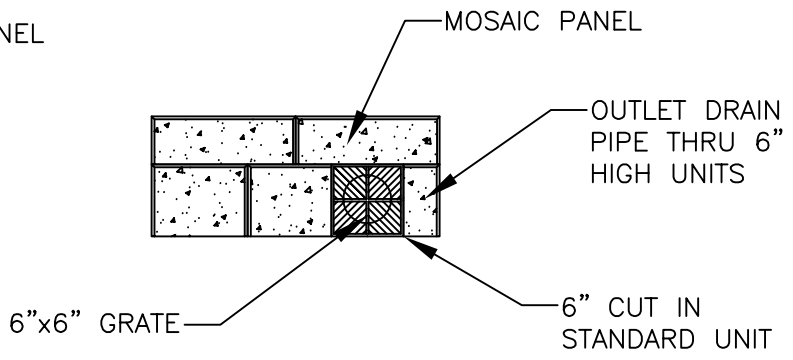
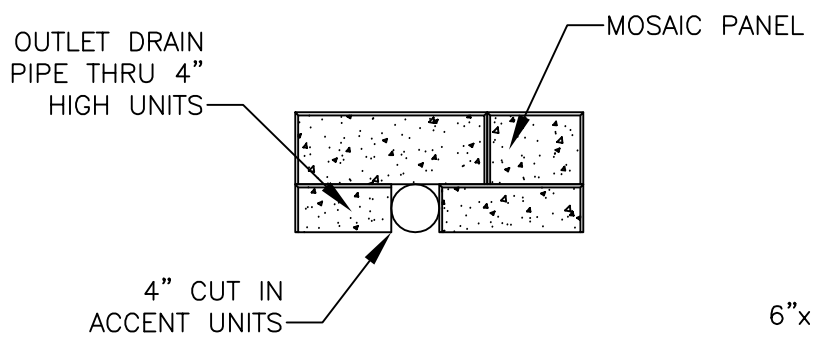


CAPPING DETAIL—PROFILE
 MOSAIC—STEP AT TOP OF WALL
 SCALE: NONE

THESE PRELIMINARY DETAILS ARE INTENDED AS AN AID IN DESIGNING ATTRACTIVE, DURABLE RETAINING WALLS WITH VERSA-LOK UNITS. FINAL DETERMINATION OF THE SUITABILITY OF ANY INFORMATION OR MATERIAL FOR THE USE CONTEMPLATED, AND ITS MANNER OF USE, IS THE SOLE RESPONSIBILITY OF THE USER. A FINAL PROJECT SPECIFIC DESIGN SHOULD BE PREPARED BY A QUALIFIED, LICENSED, PROFESSIONAL ENGINEER.

VERSA-LOK[®]
 Retaining Wall Systems
 Solid Solutions[™]
 (800)770-4525 fax(651)770-4089
 6348 Hwy36 Ste1, Oakdale,MN 55128

VERSA-LOK MOSAIC DETAILS	SCALE: 3/4"=1'
	DRAWN BY: PPS
	CHECKED BY:
	DATE: 10/2007
CAPPING	DWG. NO. mosaic capping



DRAIN DETAILS
 MOSAIC-WALLS OVER 4' TALL
 SCALE: NONE

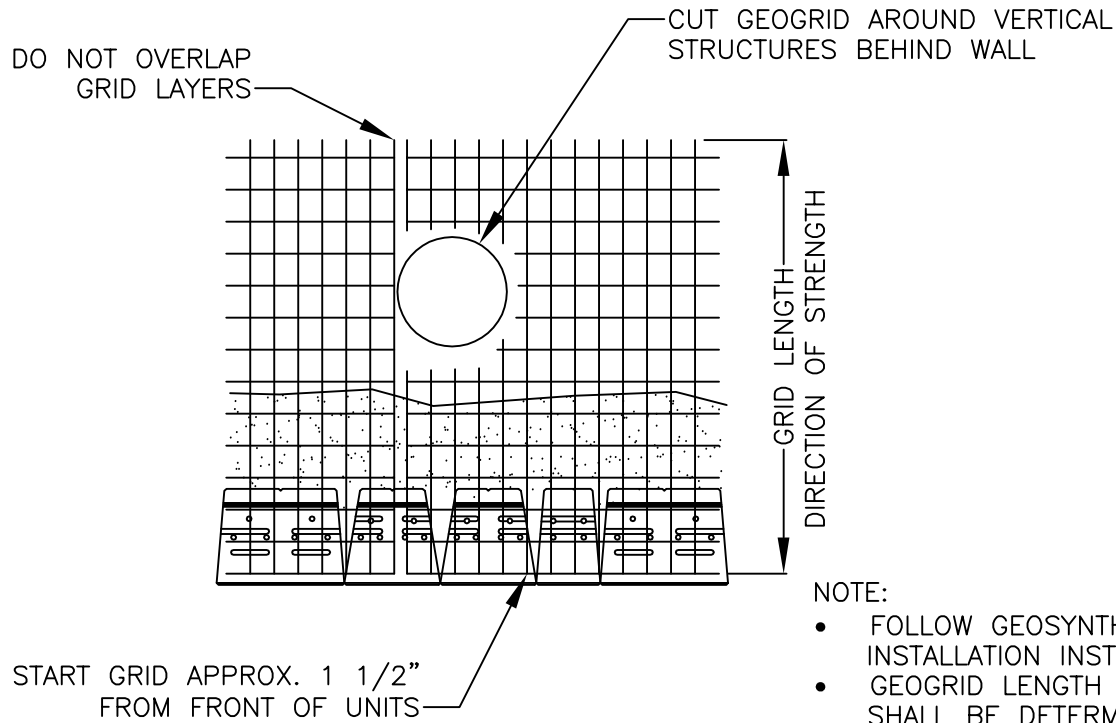
THESE PRELIMINARY DETAILS ARE INTENDED AS AN AID IN DESIGNING ATTRACTIVE, DURABLE RETAINING WALLS WITH VERSA-LOK UNITS. FINAL DETERMINATION OF THE SUITABILITY OF ANY INFORMATION OR MATERIAL FOR THE USE CONTEMPLATED, AND ITS MANNER OF USE, IS THE SOLE RESPONSIBILITY OF THE USER. A FINAL PROJECT SPECIFIC DESIGN SHOULD BE PREPARED BY A QUALIFIED, LICENSED, PROFESSIONAL ENGINEER.



VERSA-LOK®
 Retaining Wall Systems
 Solid Solutions™
 (800)770-4525 fax(651)770-4089
 6348 Hwy36 Ste1, Oakdale, MN 55128

VERSA-LOK MOSAIC DETAILS
DRAIN DETAIL

SCALE: 3/4"=1'
DRAWN BY: PPS
CHECKED BY:
DATE: 10/2007
DWG. NO. mosaic drain detail



GEOSYNTHETIC AT STRUCTURES BEHIND WALL

MOSAIC

SCALE: NONE

THESE PRELIMINARY DETAILS ARE INTENDED AS AN AID IN DESIGNING ATTRACTIVE, DURABLE RETAINING WALLS WITH VERSA-LOK UNITS. FINAL DETERMINATION OF THE SUITABILITY OF ANY INFORMATION OR MATERIAL FOR THE USE CONTEMPLATED, AND ITS MANNER OF USE, IS THE SOLE RESPONSIBILITY OF THE USER. A FINAL PROJECT SPECIFIC DESIGN SHOULD BE PREPARED BY A QUALIFIED, LICENSED, PROFESSIONAL ENGINEER.



VERSA-LOK®
Retaining Wall Systems

(800)770-4525 fax(651)770-4089
6348 Hwy36 Ste1, Oakdale, MN 55128 **Solid Solutions™**

VERSA-LOK MOSAIC DETAILS

GEOSYNTHETIC AT STRUCTURES

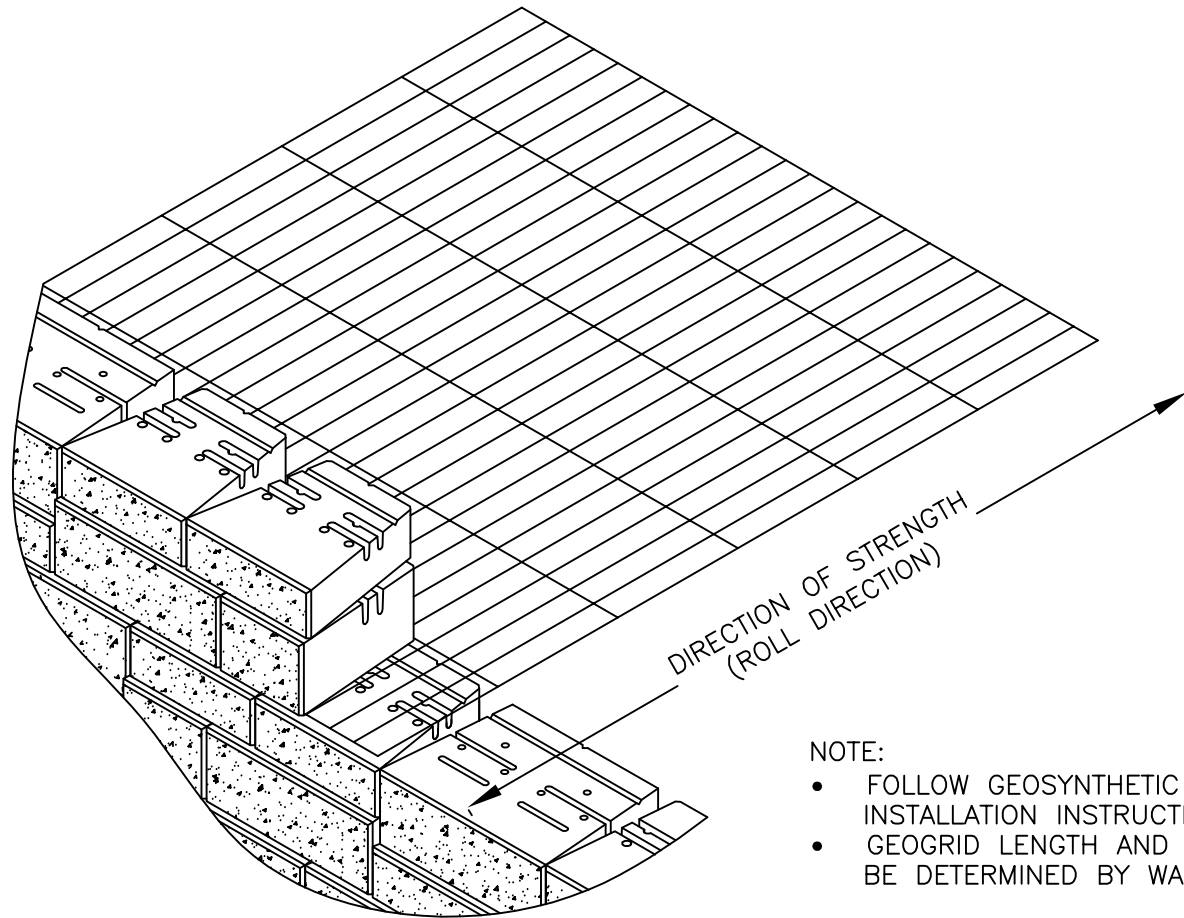
SCALE: 1/2"=1'

DRAWN BY: PPS

CHECKED BY:

DATE: 10/2007

DWG. NO.
mosaic geosynthetic at structures



NOTE:

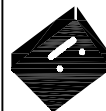
- FOLLOW GEOSYNTHETIC GRID MANUFACTURER'S INSTALLATION INSTRUCTIONS AND SPECIFICATIONS
- GEOGRID LENGTH AND ELEVATION PLACEMENT SHALL BE DETERMINED BY WALL DESIGN ENGINEER

GEOSYNTHETIC INSTALLATION DETAIL

MOSAIC

SCALE: NONE

THESE PRELIMINARY DETAILS ARE INTENDED AS AN AID IN DESIGNING ATTRACTIVE, DURABLE RETAINING WALLS WITH VERSA-LOK UNITS. FINAL DETERMINATION OF THE SUITABILITY OF ANY INFORMATION OR MATERIAL FOR THE USE CONTEMPLATED, AND ITS MANNER OF USE, IS THE SOLE RESPONSIBILITY OF THE USER. A FINAL PROJECT SPECIFIC DESIGN SHOULD BE PREPARED BY A QUALIFIED, LICENSED, PROFESSIONAL ENGINEER.



VERSA-LOK[®]
Retaining Wall Systems

(800)770-4525 fax(651)770-4089
6348 Hwy36 Ste1, Oakdale, MN 55128 **Solid Solutions[™]**

VERSA-LOK MOSAIC DETAILS

GEOSYNTHETIC INSTALLATION

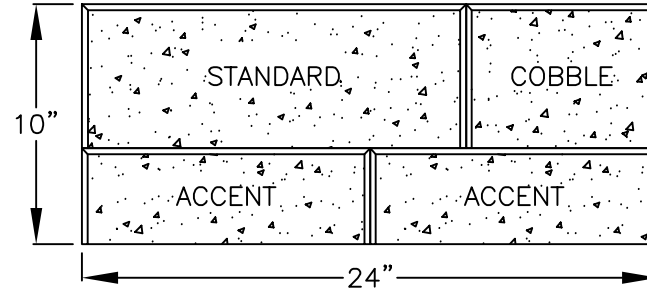
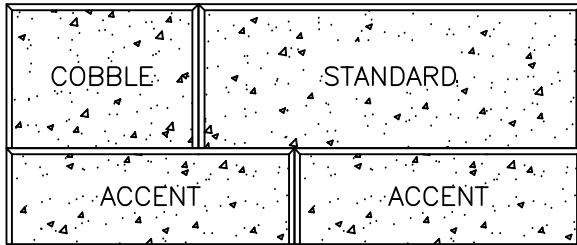
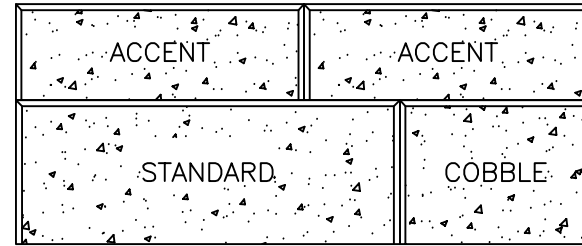
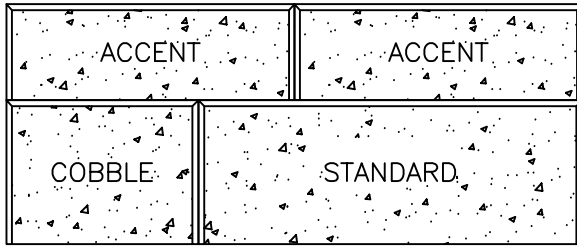
SCALE: 3/4"=1'

DRAWN BY: PPS

CHECKED BY:

DATE: 10/2007

DWG. NO. mosaic geosynthetic installation



VERSA-LOK MOSAIC PANELS

SCALE: NONE

THESE PRELIMINARY DETAILS ARE INTENDED AS AN AID IN DESIGNING ATTRACTIVE, DURABLE RETAINING WALLS WITH VERSA-LOK UNITS. FINAL DETERMINATION OF THE SUITABILITY OF ANY INFORMATION OR MATERIAL FOR THE USE CONTEMPLATED, AND ITS MANNER OF USE, IS THE SOLE RESPONSIBILITY OF THE USER. A FINAL PROJECT SPECIFIC DESIGN SHOULD BE PREPARED BY A QUALIFIED, LICENSED, PROFESSIONAL ENGINEER.



VERSA-LOK[®]
Retaining Wall Systems

(800)770-4525 fax(651)770-4089
6348 Hwy36 Ste1, Oakdale, MN 55128 **Solid Solutions[™]**

VERSA-LOK MOSAIC DETAILS

PANEL CONFIGURATIONS

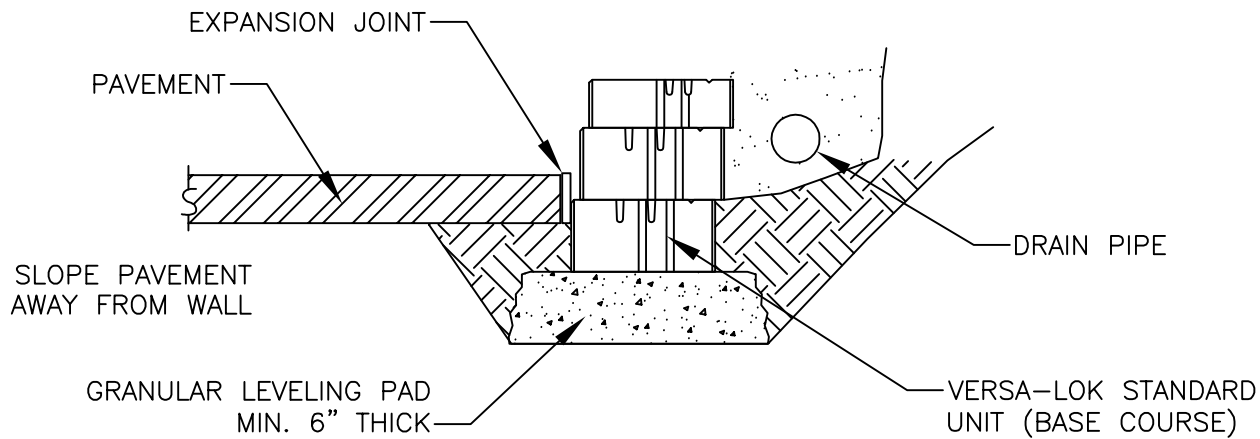
SCALE: 1 1/2"=1'

DRAWN BY: PPS

CHECKED BY:

DATE: 10/2007

DWG. NO. mosaic panels



PAVEMENT AT BASE OF WALL

MOSAIC
SCALE: NONE

THESE PRELIMINARY DETAILS ARE INTENDED AS AN AID IN DESIGNING ATTRACTIVE, DURABLE RETAINING WALLS WITH VERSA-LOK UNITS. FINAL DETERMINATION OF THE SUITABILITY OF ANY INFORMATION OR MATERIAL FOR THE USE CONTEMPLATED, AND ITS MANNER OF USE, IS THE SOLE RESPONSIBILITY OF THE USER. A FINAL PROJECT SPECIFIC DESIGN SHOULD BE PREPARED BY A QUALIFIED, LICENSED, PROFESSIONAL ENGINEER.



VERSA-LOK[®]
Retaining Wall Systems

(800)770-4525 fax(651)770-4089
6348 Hwy36 Ste1, Oakdale, MN 55128 **Solid Solutions[™]**

VERSA-LOK MOSAIC DETAILS

PAVEMENT AT BASE

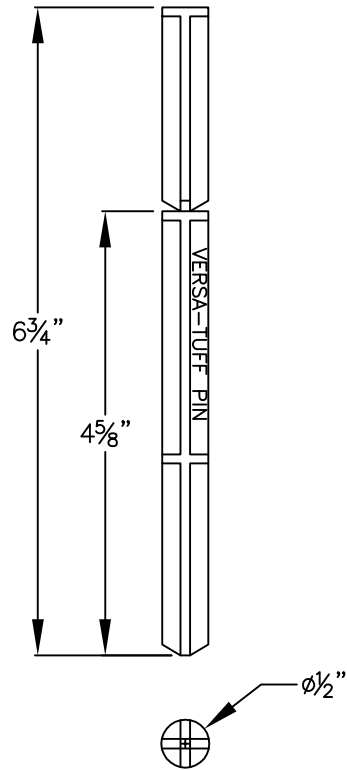
SCALE: 3/4"=1'

DRAWN BY: PPS

CHECKED BY:

DATE: 10/2007

DWG. NO.
mosaic pavement at base



VERSA-TUFF SNAP-OFF PIN

PIN DIMENSIONS

SCALE: NONE

THESE PRELIMINARY DETAILS ARE INTENDED AS AN AID IN DESIGNING ATTRACTIVE, DURABLE RETAINING WALLS WITH VERSA-LOK UNITS. FINAL DETERMINATION OF THE SUITABILITY OF ANY INFORMATION OR MATERIAL FOR THE USE CONTEMPLATED, AND ITS MANNER OF USE, IS THE SOLE RESPONSIBILITY OF THE USER. A FINAL PROJECT SPECIFIC DESIGN SHOULD BE PREPARED BY A QUALIFIED, LICENSED, PROFESSIONAL ENGINEER.



VERSA-LOK®
Retaining Wall Systems

(800)770-4525 fax(651)770-4089
6348 Hwy36 Ste1, Oakdale,MN 55128 **Solid Solutions™**

VERSA-LOK MOSAIC DETAILS

VERSA-TUFF SNAP OFF PIN

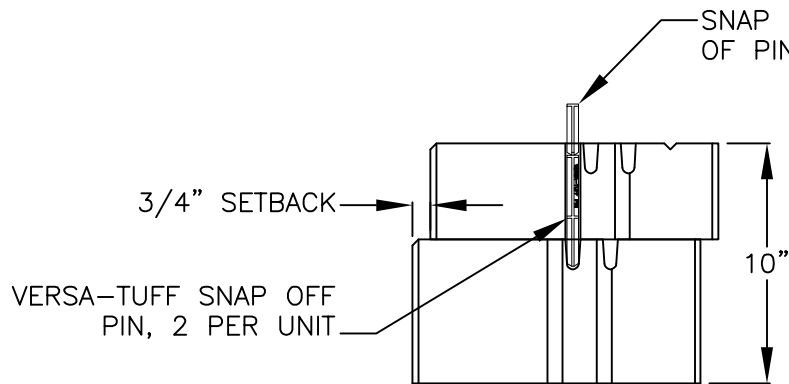
SCALE: 1/2"=1"

DRAWN BY: PPS

CHECKED BY:

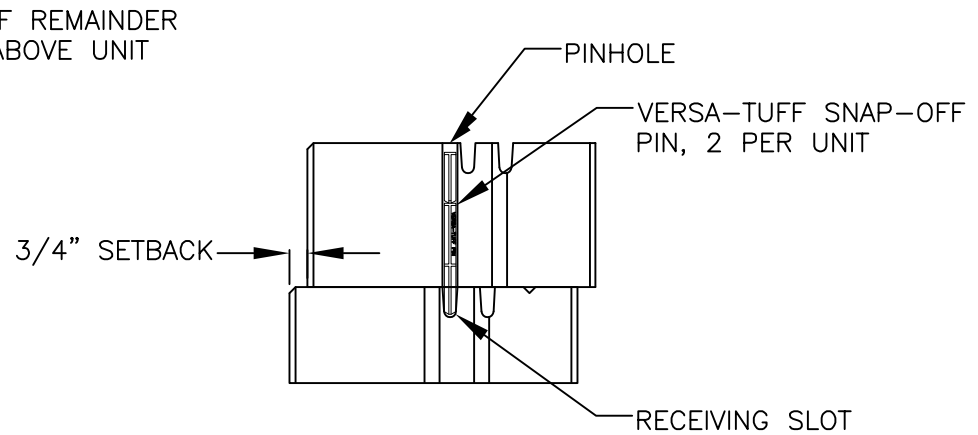
DATE: 10/2007

DWG. NO.
mosaic pin



PINNING DETAIL

MOSAIC - PINNING 4" HIGH ACCENT
 INTO 6" HIGH STANDARD/COBBLE
 SCALE: NONE



PINNING DETAIL

MOSAIC - PINNING 6" HIGH STANDARD/COBBLE
 INTO 4" HIGH ACCENT
 SCALE: NONE

NOTE:

- IN SOME REGIONS ALL UNITS OF THE MOSAIC RETAINING WALL SYSTEM (COBBLE, ACCENT AND STANDARD) HAVE 1/4" SETBACK OPTION, ALLOWING A NEAR VERTICAL SETBACK MOSAIC WALL. CONTACT THE LOCAL VERSA-LOK MANUFACTURER NEAREST YOU FOR INFORMATION.

THESE PRELIMINARY DETAILS ARE INTENDED AS AN AID IN DESIGNING ATTRACTIVE, DURABLE RETAINING WALLS WITH VERSA-LOK UNITS. FINAL DETERMINATION OF THE SUITABILITY OF ANY INFORMATION OR MATERIAL FOR THE USE CONTEMPLATED, AND ITS MANNER OF USE, IS THE SOLE RESPONSIBILITY OF THE USER. A FINAL PROJECT SPECIFIC DESIGN SHOULD BE PREPARED BY A QUALIFIED, LICENSED, PROFESSIONAL ENGINEER.



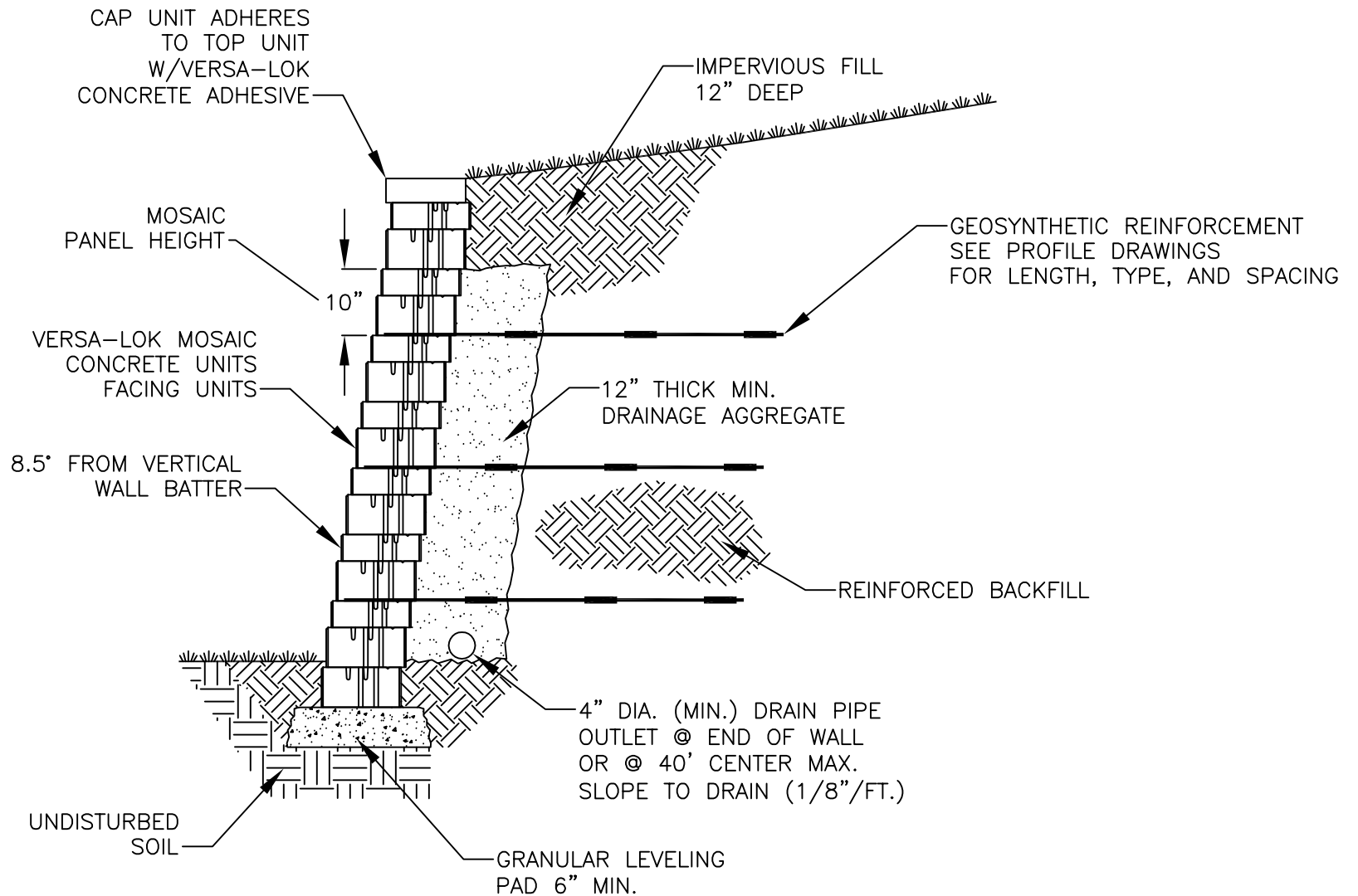
VERSA-LOK®
 Retaining Wall Systems

(800)770-4525 fax(651)770-4089
 6348 Hwy36 Ste1, Oakdale,MN 55128 **Solid Solutions™**

VERSA-LOK MOSAIC DETAILS

PINNING

SCALE:	1 1/2"=1'
DRAWN BY:	PPS
CHECKED BY:	
DATE:	10/2007
DWG. NO.	mosaic pinning



TYPICAL SECTION—REINFORCED RETAINING WALL

MOSAIC
SCALE: NONE

THESE PRELIMINARY DETAILS ARE INTENDED AS AN AID IN DESIGNING ATTRACTIVE, DURABLE RETAINING WALLS WITH VERSA-LOK UNITS. FINAL DETERMINATION OF THE SUITABILITY OF ANY INFORMATION OR MATERIAL FOR THE USE CONTEMPLATED, AND ITS MANNER OF USE, IS THE SOLE RESPONSIBILITY OF THE USER. A FINAL PROJECT SPECIFIC DESIGN SHOULD BE PREPARED BY A QUALIFIED, LICENSED, PROFESSIONAL ENGINEER.



VERSA-LOK®
Retaining Wall Systems

(800)770-4525 fax(651)770-4089
6348 Hwy36 Ste1, Oakdale, MN 55128 **Solid Solutions™**

VERSA-LOK MOSAIC DETAILS

REINFORCED RETAINING WALL

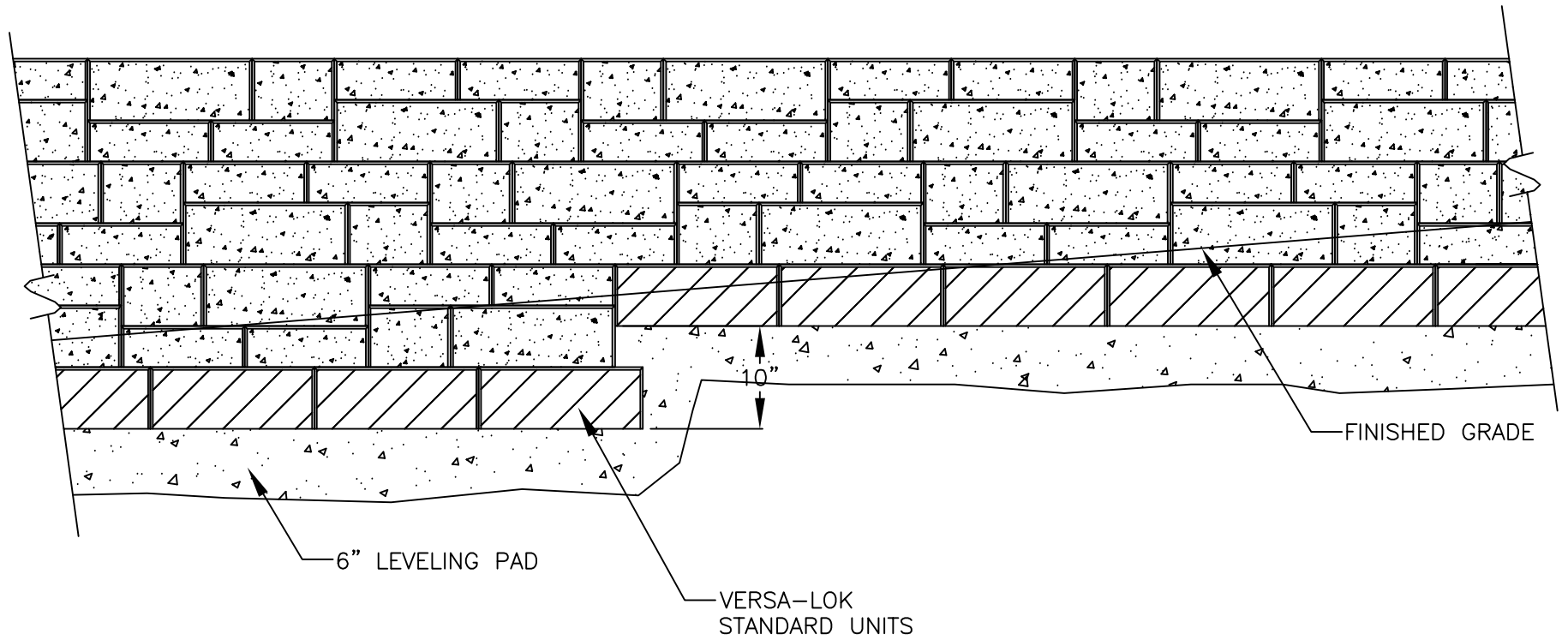
SCALE: 1/2"=1'

DRAWN BY: PPS

CHECKED BY:

DATE: 10/2007

DWG. NO. mosaic reinforced section



NOTE:

- LIMIT CHANGES IN BASE ELEVATION TO 10" PER STEP TO AVOID DIFFERENTIAL SETTLEMENT
- STEP AS NEEDED TO MINIMIZE BURIED UNITS AND MAINTAIN MINIMUM REQUIRED EMBEDMENT
- FOR EASE OF INSTALLATION, USE VERSA-LOK STANDARD UNITS FOR THE BASE COURSE

BASE STEPPING DETAIL

MOSAIC-10" STEP

SCALE: NONE

THESE PRELIMINARY DETAILS ARE INTENDED AS AN AID IN DESIGNING ATTRACTIVE, DURABLE RETAINING WALLS WITH VERSA-LOK UNITS. FINAL DETERMINATION OF THE SUITABILITY OF ANY INFORMATION OR MATERIAL FOR THE USE CONTEMPLATED, AND ITS MANNER OF USE, IS THE SOLE RESPONSIBILITY OF THE USER. A FINAL PROJECT SPECIFIC DESIGN SHOULD BE PREPARED BY A QUALIFIED, LICENSED, PROFESSIONAL ENGINEER.



VERSA-LOK[®]
Retaining Wall Systems

(800)770-4525 fax(651)770-4089
6348 Hwy36 Ste1, Oakdale, MN 55128 **Solid Solutions[™]**

VERSA-LOK MOSAIC DETAILS

BASE STEPPING DETAIL

SCALE: 3/4"=1'

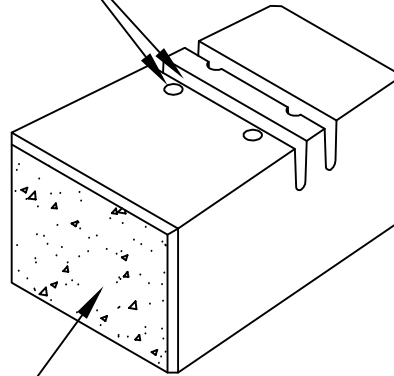
DRAWN BY: PPS

CHECKED BY:

DATE: 10/2007

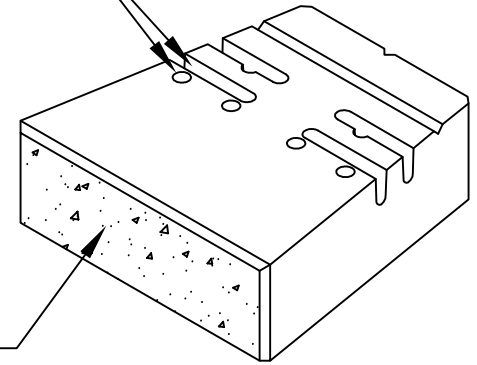
DWG. NO.
base stepping

PIN HOLES AND SLOTS FOR 3/4" SETBACK WALL CONSTRUCTION



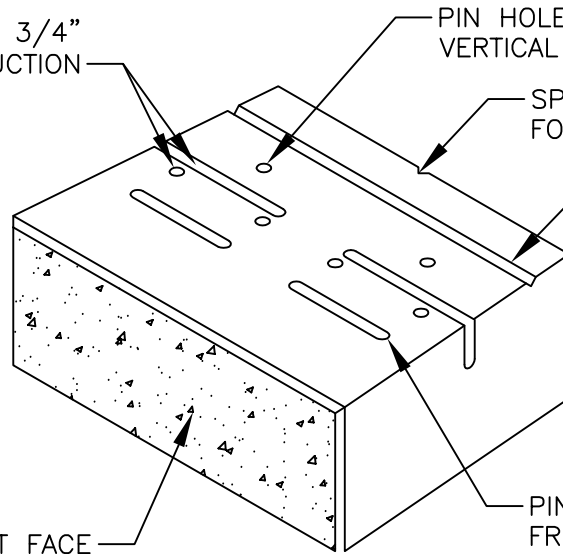
STRAIGHT SPLIT FACE

PIN HOLES AND SLOTS FOR 3/4" SETBACK WALL CONSTRUCTION



STRAIGHT SPLIT FACE

PIN HOLES AND SLOTS FOR 3/4" SETBACK WALL CONSTRUCTION



STRAIGHT SPLIT FACE

PIN HOLES FOR VERTICAL WALLS

SPLITTING GROOVE FOR HALF UNIT

SPLITTING GROOVE FOR FREESTANDING WALLS

PINNING SLOTS FOR FREESTANDING WALLS

VERSA-LOK MOSAIC UNITS

UNIT DRAWINGS

SCALE: NONE

THESE PRELIMINARY DETAILS ARE INTENDED AS AN AID IN DESIGNING ATTRACTIVE, DURABLE RETAINING WALLS WITH VERSA-LOK UNITS. FINAL DETERMINATION OF THE SUITABILITY OF ANY INFORMATION OR MATERIAL FOR THE USE CONTEMPLATED, AND ITS MANNER OF USE, IS THE SOLE RESPONSIBILITY OF THE USER. A FINAL PROJECT SPECIFIC DESIGN SHOULD BE PREPARED BY A QUALIFIED, LICENSED, PROFESSIONAL ENGINEER.



VERSA-LOK[®]
Retaining Wall Systems

(800)770-4525 fax(651)770-4089
6348 Hwy36 Ste1, Oakdale, MN 55128 **Solid Solutions[™]**

VERSA-LOK MOSAIC DETAILS

MOSAIC UNITS

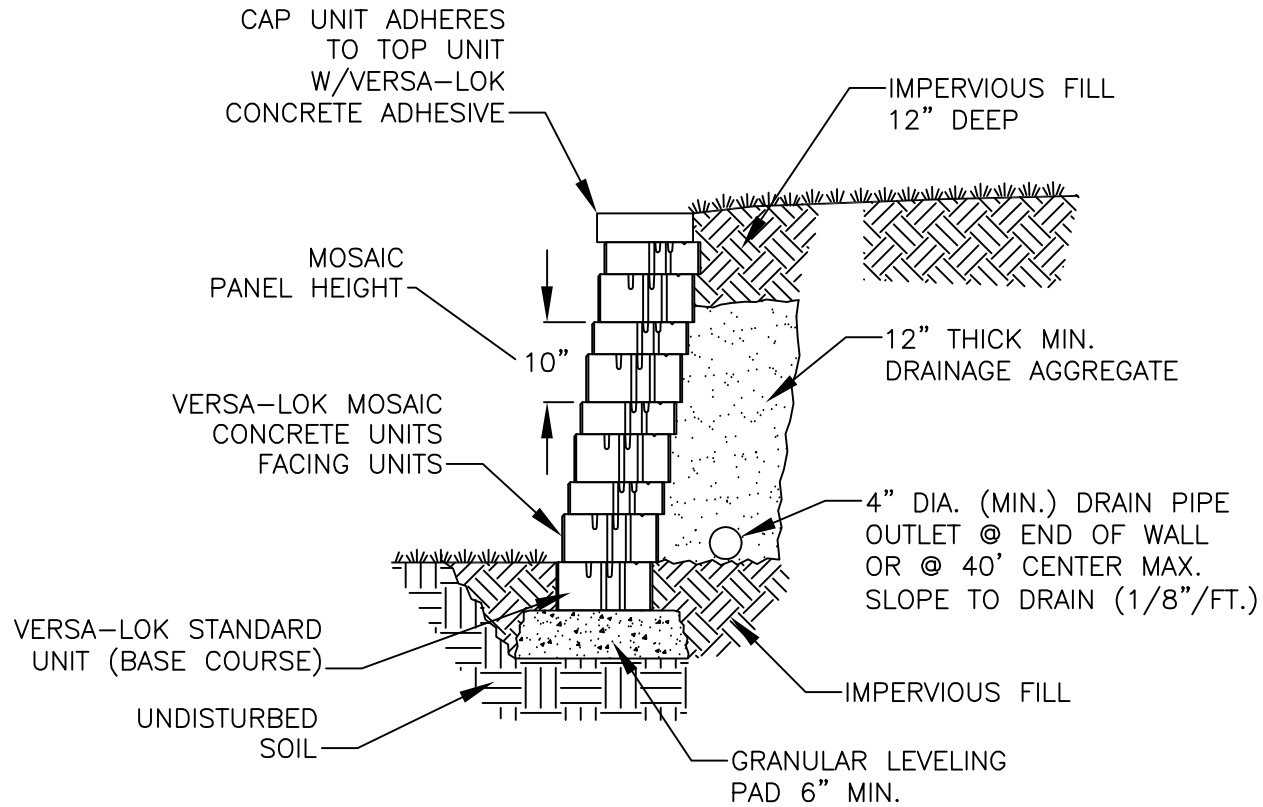
SCALE: 1 1/2"=1'

DRAWN BY: PPS

CHECKED BY:

DATE: 10/2007

DWG. NO. mosaic units



TYPICAL SECTION—UNREINFORCED RETAINING WALL

MOSAIC

SCALE: NONE

THESE PRELIMINARY DETAILS ARE INTENDED AS AN AID IN DESIGNING ATTRACTIVE, DURABLE RETAINING WALLS WITH VERSA-LOK UNITS. FINAL DETERMINATION OF THE SUITABILITY OF ANY INFORMATION OR MATERIAL FOR THE USE CONTEMPLATED, AND ITS MANNER OF USE, IS THE SOLE RESPONSIBILITY OF THE USER. A FINAL PROJECT SPECIFIC DESIGN SHOULD BE PREPARED BY A QUALIFIED, LICENSED, PROFESSIONAL ENGINEER.



VERSA-LOK®
Retaining Wall Systems

(800)770-4525 fax(651)770-4089
6348 Hwy36 Ste1, Oakdale, MN 55128 **Solid Solutions™**

VERSA-LOK MOSAIC DETAILS

REINFORCED RETAINING WALL

SCALE: 3/4"=1'

DRAWN BY: PPS

CHECKED BY:

DATE: 10/2007

DWG. NO. mosaic reinforced section